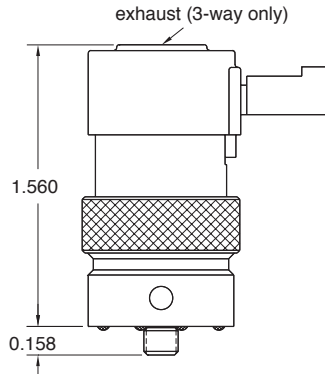


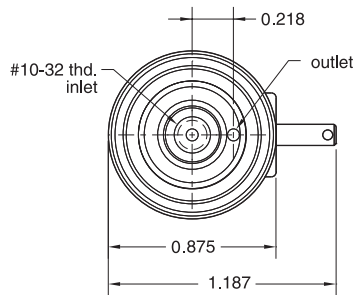


OXYGEN CLEAN EV, ET, EC 2- & 3-WAY N-C VALVES MANIFOLD MOUNT

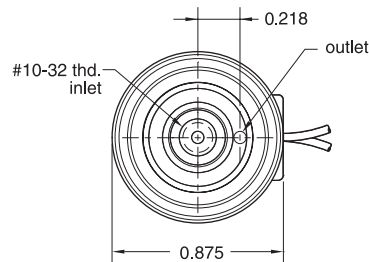
O-EC - □ M - □ - □



O-ET - □ M - □ - □



O-EV - □ M - □ - □



Type: Normally-Closed 2- or 3-Way

Medium: Air (40 micron filtration)

Temperature Range: 32 to 180°F

Power Consumption: 0.67 watt

Response: 5 to 10 milliseconds

Mounting: Manifold

Ports: Manifold mounted with #10-32 stud

Operating Range: 90% to 150% of rated voltage

Air Flow: 0.6 scfm @ 100 psig;
17 l/min @ 7 bar

"L" option: 0.5 scfm @ 50 psig;
14 l/min @ 3.5 bar

"H" option: 0.45 scfm @ 25 psig;
13 l/min @ 1.8 bar

Pressure Range:

28" Hg Vac. to 105 psig

"L" option:

28" Hg Vac. to 50 psig

"H" option:

28" Hg Vac. to 25 psig

Seals: FKM



For Cable and Connectors, see Page 201.

NUMBERING SYSTEM

O - E □ - □ **M** - □ - □

C - Connector
T - Terminal Spades
V - Wire Leads

2 - 2-Way
3 - 3-Way

Voltagess: *
6 - 6 VDC
12 - 12 VDC
24 - 24 VDC

Standard Options:

Blank - Standard orifice 0.025"

L - 0.040" orifice (50 psig max)

H - 0.060" orifice (25 psig max)

Non-Standard Options:

D - Diode

* Consult factory for availability of non-standard voltages and other options